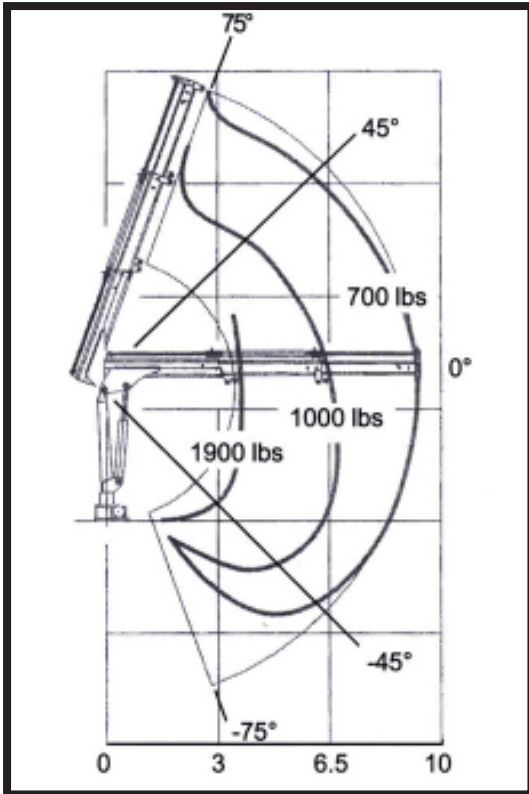


# VENTURO

TRUCK MOUNTED CRANES

## “NEXT GENERATION” CT310KX SERIES ELECTRIC/HYDRAULIC 6,650 FT/LBS. MAST CRANE



- ◆ ELECTRIC POWER ROTATION
- ◆ ELECTRIC/HYDRAULIC POWER ELEVATION
- ◆ ELECTRIC/HYDRAULIC POWER EXTENSION
- ◆ ELECTRIC HEAVY DUTY WINCH
- ◆ ALL FUNCTIONS CONTROLLED THROUGH A HAND HELD PENDANT CONTROL

*Venturo CT310KX is truly “Next Generation” providing the perfect combination of power to weight ratios for lifting, energy efficiency and at value pricing that will cut your loading and unloading cost. The CT310KX crane can be installed on closed vans, trailers, platform and utility bodies and requires only a 13" x 13" mounting area.*

### FEATURES

- ◆ 1,900 lbs. Maximum capacity to 3'
- ◆ 1,000 lbs. Maximum capacity to 6'3"
- ◆ 700 lbs. Maximum capacity to 9'3"
- ◆ Electric/Hydraulic 322° power rotation.
- ◆ Electric/Hydraulic power boom extension to 6'3".
- ◆ Manual boom extension to 9'3".
- ◆ All cylinders with counterbalance valves.
- ◆ Monarch heavy-duty power unit.

### STANDARD EQUIPMENT

- ◆ Snatch block with swivel hook and safety latch.
- ◆ 20' hand held plug-in removable 4 function (rotation, elevation, extension, and winch) pendant control.
- ◆ Master disconnect switch.
- ◆ Load capacity indicator on boom.
- ◆ Audible overload alarm protection.
- ◆ 25' – 4 gauge battery cable.
- ◆ Weight – 370 lbs.

### HEAVY-DUTY WINCH FEATURES

- ◆ 3/16" x 50' aircraft grade wire rope, 4100 lbs. breaking strength.
- ◆ 12V DC permanent magnet motor.
- ◆ 3 stage planetary geartrain with 216:1 reduction.
- ◆ Dual load applied and dynamic braking system.
- ◆ 3 1/2" diameter drum meets ANSI B30.5 specifications.

LOAD	LINE SPEED-FT/MIN	AMP DRAW
0	26	30
1000 LBS.	18	115
1900 LBS.	9	115

**Options:** The boom is stored at either 90 or 45 degrees to provide an overall low mounting height. An optional 10" pedestal with storage compartment for the pendant control allows the boom to be stored at 180 degrees.